

ERGOCUT CB 150

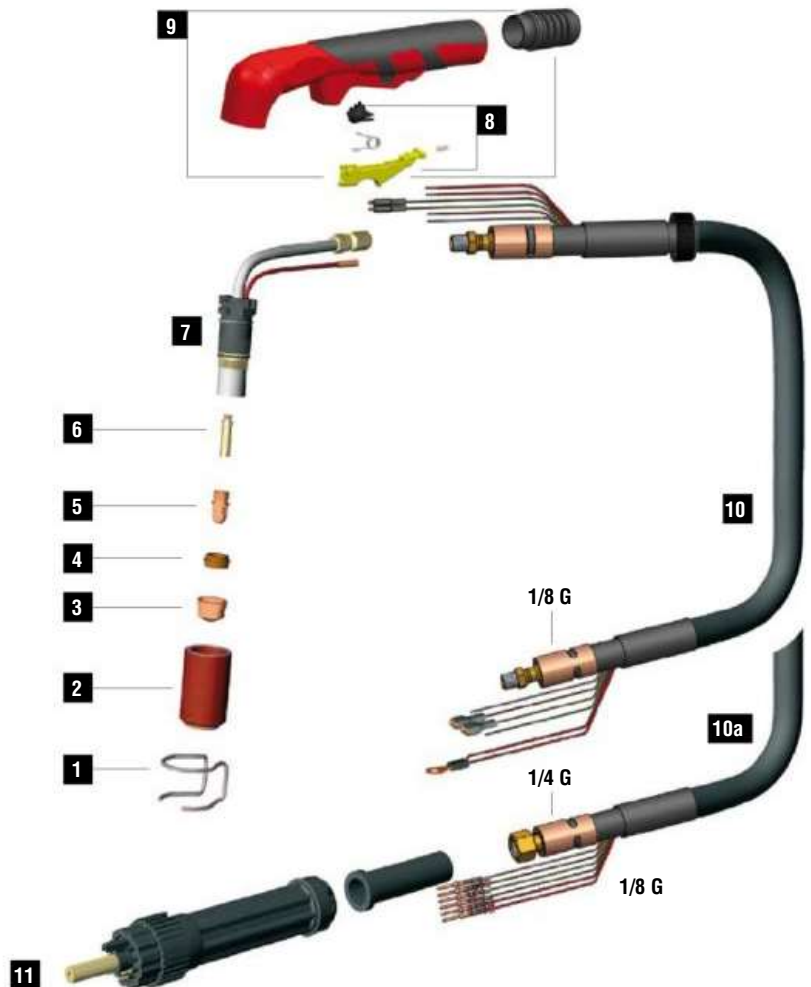
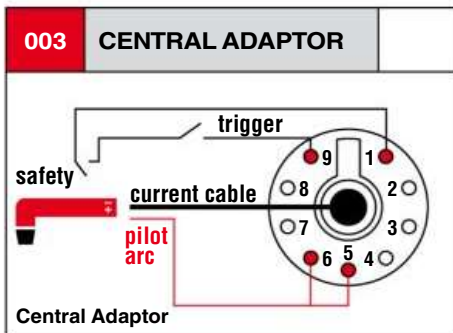
CE EN60974-7



CODE	↔		
PAE306M-060-BA3	6 m	19.7'	1/8 GAS
PAE306M-003-BA3	6 m	19.7'	CENTRAL 003

For all pin connection schemes see page 114

TECHNICAL DATA		
	ERGOCUT CB 150	
	0,8 kg	1.76 lb
	500	
	5 bar	
	200 l/min	
	150A	
	110A	
	35-40 mm	1"3/8-1"9/16



	CODE		Description	Ø			CONTACT		DRAG		GOUGING	REF		
1	CV0008		stand off guide			32,5 mm						51957	10	
1	CV0009		stand off guide			38,6 mm							10	
1	CV0011		stand off guide			23 mm						1386	10	
1	CV0012		stand off guide			30 mm						1408	2	
1	CV0013		stand off guide			33 mm						1406	2	
1	CV0021		stand off guide	32,8 mm		40,6 mm							1	
1	CV0038		stand off guide			17 mm						51930	10	
2	PC0002		long life nozzle			52,1 mm						1389	2	
2	PC0034		long life nozzle			51,3 mm						60350	2	
3	PD0025-14		100 A	1,4 mm	.055"	34,9 mm							10	
3	PD0025-16		130 A	1,6 mm	.063"	34,9 mm							10	
3	PD0025-18		150 A	1,8 mm	.071"	34,9 mm							10	
3	PD0026-11		60 A	1,1 mm	.043"	14,1 mm						1371	10	
3	PD0026-13		100 A	1,3 mm	.051"	14,1 mm						1372	10	
3	PD0026-16		130 A	1,6 mm	.063"	14,1 mm						1373	10	
3	PD0026-18		150 A	1,8 mm	.071"	14,1 mm						1374	10	
3	PD0026-24		gouging tip	2,4 mm	3/32"	14,1 mm							10	
3	PD0026-30	gouging tip	3,0 mm	1/8"	14,1 mm						1375	10		
3	PD0028-13		100 A	1,3 mm	.051"	14 mm							10	
3	PD0028-16		130 A	1,6 mm	.063"	14 mm							10	
3	PD0028-18		150 A	1,8 mm	.071"	14 mm							10	
3	PD0030-11		60 A	1,1 mm	.043"	35,7 mm						1369	10	
4	PE0009		diffuser			7,9 mm						1377	2	
5	PR0034		electrode			22 mm	7/8"						1376	10
5	PR0045		electrode			43 mm						1517	10	
5	PR0245		electrode			43 mm						1517	10	
6	FH0213		air tube			29,5 mm							1	

	CODE		Description	
7	EA0131		O-ring Ø 19x2 mm	10
7	PF0080		Ergocut CB 150 torch head	1
8	TP0400		trigger kit	1
9	TP0402		handle kit	1
10	PH4017		coaxial cable - 6 m / 19.7' - 1/8 G	1

	CODE		Description	
10a	PH4014		coaxial cable - 6 m / 19.7' - 1/4 G (pin included)	1
11	BW0147		cable support	10
11	FY0023		plasma central adaptor - 5 pins	1
	EA0254		pin extractor for central adaptor	1
	PT0202		male spring pins kit (5 pcs)	1

STANDARD

CONTACT SHORT CONTACT LONG DRAG SHORT DRAG LONG GOUGING